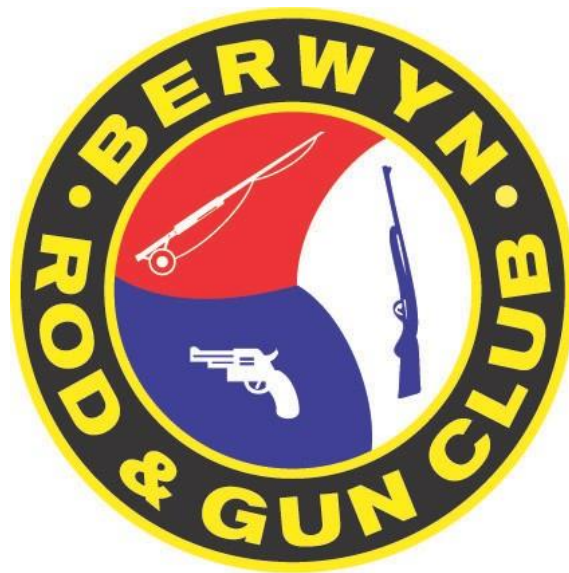


# **Berwyn Rod and Gun Club, Inc.**



## **Range Rules**

**September 13, 2019 Revision 5.3**



# Berwyn Rod and Gun Club, Inc.

## Range Rules

### Table of Contents

Section I – Safety Rules .....	5
Section II - Administrative Rules .....	8
Section III - General Rules .....	10
Section IV - Range Rules .....	12
A. Restrictions .....	12
B. General Rules: 100-Yd, 50-Yd, and 50-Ft Ranges .....	14
C. Specific Rules: 100-Yard Range .....	16
D. Specific Rules: 50 –Yard Range .....	17
E. Specific Rules: 50 –Foot Range .....	18
F. Specific Rules: Shotgun Patterning Range .....	19
G. Specific Rules: Archery Range .....	21
Section V - Special Rules for Specific Types of Firearms .....	23
A. Class III (Full Auto) Firearms .....	23
B. Muzzle-Loading Firearms .....	25
Section VI: Holster Draw .....	26
Section VII - Disciplinary Action .....	27
Appendix A – Definitions .....	28
Appendix B – Target Stand Specifications .....	30
Appendix C – Target Placement Diagrams .....	31
Appendix D – Professional Trainers and Classes .....	33
Appendix E – Quick Reference Guide .....	34
Appendix F – Firearms Safety Training Courses .....	36



## Section I: Safety Rules

1. **Always keep the gun pointed in a safe direction.** Rifles and Pistols – when out of the case – Moving onto or off of a range, point the muzzle straight up. On a range, point the muzzle downrange.
2. **Always keep your finger off the trigger until ready to shoot.** Keep your finger outside of the trigger guard until ready to shoot.
3. **Always keep the gun unloaded until ready to use.** All firearms, when carried from one point to another, anywhere on the facility, will be unloaded and the action opened.

Following the above three rules and the rules covered in the rest of this document will help ensure that members and guests can enjoy the use of the ranges in a safe manner. Some of the rules address requirements mandated by the design of the ranges themselves. The BRGC ranges were designed as a "no blue sky", known-distance, static range, which means that any shooter on any range from any authorized firing position should be able to see no, or very little, blue sky. The range design requires that no cross shooting occurs, and that shooting be permitted only from the prescribed firing lines and respective positions.

No live fire will ever be forward of the designated firing line on any range at any time.

No live fire will ever be from any firing position other than the numbered firing positions on each respective range.

These rules are binding on all who use the BRGC ranges. **Compliance is mandatory.** Violation of these rules constitutes grounds for suspension of range privileges or other disciplinary action by the Executive Committee, as covered in the Bylaws and Internal Operating Procedures.

1. **Know how the firearm operates.** Do not attempt to load or fire any firearm if you do not know how to handle and operate it properly.
2. **Be sure the firearm and ammunition are compatible.**
3. **Be sure of your target and what is beyond.** Be sure that the round will impact the berm.
4. **Be aware that certain circumstances may require additional safety precautions.**
5. **DO NOT** go forward of the firing line on any range until you:
  - a. Announce your intention to do so by calling a **"CEASE FIRE"**.
  - b. Verify that no one is handling a firearm on or behind the firing line.
  - c. Verify that all firearms on the firing line are unloaded with actions open and magazines removed and an empty chamber indicator (ECI) is installed **IN THE CHAMBER/BORE.**



16. Once a firearm has been loaded it may not be left unattended for any reason.
17. Cease-fire immediately if you see a person, vehicle or animal down range. Do not resume firing until the area is clear.
18. The only people permitted on the firing line while the line is **"HOT"** are the shooters, people instructing and/or spotting. All others must remain behind the firing line.
19. Any person can call **"CEASE FIRE"** on a firing line if an unsafe condition develops. If a cease fire is called, all shooters must:
  - a. Immediately stop shooting, point the muzzle in a safe direction.
  - b. Put the firearm down.
  - c. Step away from the firearm.
  - d. Firearms shall be handled only when the issue is resolved and the range is declared hot.
20. If the ENTIRE range is not clearly visible, for example rain, snow, fog, etc., do not begin shooting, or stop immediately if shooting is in progress.
21. All guests, children, and students must be directly supervised at all times while on BRGC property.
22. Authorized or emergency work parties may close one or more ranges to engage in maintenance and repair activities on, around, or behind the ranges provided:
  - a. Range flags are placed in an "UP" position on the affected range(s).
  - b. Signs are posted on the affected range(s) declaring the activity.
  - c. Signs are posted at the range sign-in location declaring the activity.
  - d. All related signs are removed at the end of the activity.

## Section II: Administrative Rules

1. Range operating hours:
  - a. Shotgun, Rifle and Pistol Ranges are normally open to the Membership as follows:
    - i. Monday through Saturday: 8:00 AM to Sunset
    - ii. Sunday: 10:00 AM to Sunset
    - iii. Sunset is the time specified by the National Weather Service for Sunset in Bowie, Maryland. This information is available on the internet.
  - b. An exception to this schedule is for BRGC scheduled events. Every effort will be made to keep the Members notified of scheduled BRGC events in advance of the event.
2. Ranges are for the use of:
  - a. Members of BRGC – Member, Spouse Member, and dependent child Member.
  - b. Guests invited and under the direct supervision of a BRGC Member.
  - c. Registered Participants shooting in a BRGC match, but only while shooting in that match.
  - d. Registered Participants in a BRGC approved event such as:
    - i. Safety Training class,
    - ii. Hunter Safety Class,
    - iii. Public Sight-In Day(s),
    - iv. Other club social events
    - v. Professional Training Class
3. Members must attend the BRGC Range Rules Orientation before a Range Badge can be issued.
4. Upon completion of the Range Rules Orientation, Members are considered “range-qualified”.
5. Every Member on the ranges must display a current valid BRGC range badge. ***A Member without their range badge is not permitted to shoot on any range.***
6. The main range gate must be locked immediately behind a Member after entering or exiting the main range unless directed otherwise by a Match Director or by the Executive Committee.
7. Every Member, as soon as arriving on the range and before beginning an event or a function or a session at one of the ranges, must sign in legibly, and include their Range Badge number on the range register before shooting. They must sign out after shooting, with the date and the time in and time out noted.
8. All guests and students are required to read and sign a “RELEASE, WAIVER, INDEMNIFICATION, HOLD HARMLESS AND ASSUMPTION OF THE RISK AGREEMENT” form before using any firing range. A waiver must be filled out for each visit to the range. Family members without their own range badge must also fill out the waiver form each visit.



- a. The sponsoring member or instructor is responsible for ensuring that the form is completely and legibly filled out.
  - b. The member's name and badge number must be legibly printed on the waiver.
  - c. The waiver must be filled out as soon as guests and members are on the property and before attending an event or function at the range.
9. Members are responsible for the conduct of their guests on BRGC property.
10. A Member may not have more than four (4) dependents/guests at any one time.
11. A Guest of a Member:
  - a. Must clearly display a "GUEST" badge/sticker on the front of their person.
  - b. May shoot only from the same point that the Member is using.
  - c. May shoot only when the Member is not shooting.
  - d. Must be directly supervised by the Member that they are with.
  - e. May not draw from a holster and fire.
  - f. May not fire an automatic firearm using a magazine that has more than a single round in it.
12. Individual ranges may be temporarily closed to general use during BRGC scheduled events. Every effort will be made to keep the Members notified of scheduled BRGC events in advance of the event.
13. A range badge may have one or more colored rectangles on it. The color signifies that the badge holder has permission to engage in the matching activity:
  - a. Green – Trainer authorized to use the BRGC range facilities for approved classes, subject to restrictions set by the Executive Committee.
  - b. Red – May operate fully automatic firearms, subject to restrictions indicated in the red rectangle.
  - c. Blue – Range Safety Officer
  - d. Yellow – May draw a loaded or non-loaded firearm, or replica, from a holster while at the range and at the firing line. Note that this rectangle does not grant the bearer the privilege of carrying a holstered firearm anywhere on the property except while at the firing line.

## **Section III: General Rules**

1. **If a rule does not explicitly permit an event on a range, it is prohibited.**
2. All Members who receive a range badge are responsible for range safety and ensuring compliance with club rules, and as such, are responsible for ensuring other Members and Guests comply with these range rules.
3. Observation of a range rule violation is to be handled on the spot. If the issue cannot be immediately resolved or the observer judges it a serious nature, the violation should be reported to a Member of the Executive Committee immediately. (Phone numbers are posted in the sign in shelter and the clubhouse.)
4. Hunting or the intentional killing of any wildlife or domestic animal is prohibited on BRGC property. All wildlife habitat including trees, plants, shrubs, nests, burrows are not to be disturbed.
5. Climbing or walking on berms, backstops, baffles or retaining walls is prohibited.
6. Alcoholic beverages may not be consumed on any range or in the adjacent parking lots.
7. Any person physically or mentally impaired by any drug or alcohol is not permitted on any range. Members are requested to contact the Executive Committee immediately if this is observed.
8. Members, guests, or visitors, except for law enforcement officers on official business, may not wear loaded side arms on BRGC property except for holster draw certified members while on the firing line. Anyone with a loaded pistol not on the firing line must empty the firearm of ammunition and verify the firearm is empty.
9. Each shooter is responsible for cleaning up after shooting. This includes removing targets, cleaning up shell casings, and throwing away trash.
10. The Executive Committee may issue a "Special Use Permit". Special Use Permits may only be issued for specific activities and only for a very limited time period. Special Use Permits cannot be issued for activities that violate the range design criteria.
11. Rules 3, 4, and 5 do not apply to sanctioned maintenance activities.
12. Any firearm or accessory brought onto the club properties must be legal to own and use under the Annotated Code of Maryland.

13. No Member may have an ON-Duty or ON the Clock Law Enforcement Officer or Security Personnel as a guest for the purpose of official job training.
14. All members and guests driving on BRGC properties are expected to keep the speed of their vehicles at no more than 10mph. All members and guests are expected to drive in a safe and courteous manner ensuring that pedestrians and other vehicles are safe and damage to club properties is minimized.

## **Section IV: Range Rules**

### **Restrictions:**

1. Hard targets of metal, glass, hard plastic, bowling pin, etc. are not permitted on any range at any time.
2. Targets designed to explode are prohibited.
3. Tracer, armor piercing, explosive, or incendiary ammunition is not allowed.
4. All “dud” rounds must be disposed of properly. Cans for duds are available on the range. They are red in color.
5. Food and beverages are not permitted on any range firing line.
6. Smoking is not permitted within 30’ of any firing line.
7. Explosive devices such as incendiary devices, bombs, grenades and other destructive devices as defined in 18 USC 44.921(4) and 26 USC 53.5845(f) are not permitted on BRGC property at any time, except for shotguns classified as destructive devices with the proper legal paperwork.
8. No combination of firearm and ammunition that produces a muzzle energy value of more than 8,000 ft-lbs, such as a 50-caliber BMG round, can be fired on any BRGC range. The shooter is responsible for verifying that their chosen firearm and ammunition combination is under the 8,000 ft-lbs limit.
9. Any combination of firearm and ammunition that produces a muzzle energy of more than 4,000 ft. lbs. can only be fired from a bench-rest position on any BRGC range. This includes some belted magnum cartridges and most large game cartridges among others. The shooter is responsible for utilizing a shooting position which conforms to their chosen firearm and ammunition combination.
10. No combination of firearm and ammunition which utilizes a self-propelled projectile can be used on any BRGC range.
11. Firearms classified under 26 USC 53.5845(a) as short barreled rifles (SBR), short barreled shotguns (SBS), machine guns, any other weapons (AOW), shotguns classified as destructive devices or those equipped with a silencer may be fired on BRGC ranges subject to the specific rules for each range. The owner of a firearm of these types must be present with the firearm and have in their possession a copy of the federal forms showing that they are the registered legal owner of that firearm.

12. Shotguns may be fired on the 100-yard, 50-yard, and the 50-foot ranges with rifled slugs or sabots. Shot of any size is not permitted. The trap pattern board may only be used with birdshot.
  
13. A parent, guardian, or spouse who is twenty-one years of age or older, of a minor person may allow the minor to use a firearm or the ammunition for any lawful purpose while under their direct supervision, or while the minor person receives instruction in the proper use of firearms from an instructor who is twenty-one years of age or older, with the written consent of such parent, guardian or spouse. Range Safety Officers (RSO) may direct that minor children be removed from the range or not participate in shooting activities if the RSO believes there are health or safety risks to the minor or other range users due to the presence of and/or participation of the minor. Range Safety Officers (RSO) are designated by a blue rectangle on the bottom of the range badge.

## Section IV: Range Rules (cont.)

### General Rules:

- 1) All firing on these ranges must take place from the designated firing points behind the firing line. The designated centerline of each firing point is defined by a numbered green stripe on the bench on the 50-yard and 50-foot ranges.
  - a. **No live fire will ever be forward of the designated firing line on any range at any time.**
  - b. **No live fire will ever be from any firing position other than the numbered firing positions on each respective range.**
- 2) Shooters may shoot only at the targets directly in front of them in the target position that is the same as their firing position. Cross firing is not permitted.
- 3) BRGC target stands and target placement on those stands are defined in Appendix B.
- 4) Only paper, soft plastic, and party type balloons may be used as targets provided they are attached to a BRGC-approved target frame. All targets must be placed at the proper height so bullet impacts on the berm are in line with existing guidelines. Balloons must be attached so the target area of the balloon stays inside the BRGC approved target stand dimensions. See **Appendix B** for target placement requirements.
- 5) Target use restrictions exist for the 7-yard target position of the 50-foot range and the 25-yard target position of the 50-yard range. A single target, no larger than 12" wide by 22" tall, is permitted. This target may contain more than one aiming point. Targets must be attached inside the outer frame of the BRGC standard target stand, as defined in Appendix B of these range rules. It must be placed so that the longest length is in line with the vertical of the stand, in a position such that a bullet fired at your intended shooting height will pass in a straight line through the target and into the berm. Targets of any other size or type are specifically prohibited, as are multiple targets.
- 6) The 50-yard and 50-foot ranges have yellow safety chains at the entrance to the walkways that extend down the side of the range. These chains shall be strung across the walk entrance and latched in place to physically restrict personnel from going forward of the firing line whenever the range is "hot"
- 7) Each bay of the firearms ranges has the outline of a rectangle painted in red on the concrete pad at the firing line. These red boxes mark the center shooting position in each bay. These red boxes designate the **ONLY** acceptable shooting position to fire fully automatic firearms from, and to draw from a holster and fire. Each red box in each range bay is numbered and there is a corresponding number for the appropriate target position to use.

- 8) Empty chamber indicators (ECI) shall be used to indicate a firearm is unloaded and made safe. The ECI shall be placed so the stem is inserted into the chamber and bore of the firearm, not just in the action or magazine well. ECI's shall be yellow or orange and shall be placed in each firearm and positioned so they may easily be seen without having to move or reposition the firearm.
- 9) The use of chronographs is permitted on all gun ranges provided they are used in accordance with their manufacturer's instructions. Bullet impact must be consistent with BRGC range rules.

## Section IV: Range Rules (cont.)

### Specific Rules - 100-Yard Range:

1. Approved Firearms:
  - a. Centerfire and rimfire rifles.
  - b. Centerfire or rimfire pistols if the combination of handgun and ammunition can be expected to be accurate out to 100 yards or more when fired.
  - c. Muzzle loading – Rifles and Handguns – **Single Projectile loads only.**
  - d. Shotguns – **Rifled slugs only or slugs with sabot, no shot allowed.**
  - e. Class III (Full-Auto) – See Rules for Full-Auto in Section V – A.
  - f. Spring and compressed gas rifles and handguns (pellet and BB guns).
  
2. Allowed Positions:
  - a. Prone, Creedmore
    - i. Only when boards are in place.
    - ii. Only from positions on the concrete deck.
  - b. Sitting and Kneeling
    - i. Only from positions on the concrete deck.
  - c. Benchrest
  - d. Offhand
  
3. Only aimed fire is allowed on this range.
4. Benches must be aligned on black squares.
5. No live fire will ever be forward of the designated firing line on any range at any time.
6. No live fire will ever be from any firing position other than the numbered firing positions on each respective range.



## **Section IV: Range Rules (cont.)**

### **Specific Rules - 50 –Yard Range:**

1. Approved Firearms:
  - a. Center fire and rimfire – Rifles and Handguns.
  - b. Muzzle loading – Rifles and Handguns – **Single Projectile loads only.**
  - c. Shotguns – **Rifled slugs or slugs with sabot only, no shot allowed.**
  - d. Class III (Full-Auto) – See Rules for Full-Auto in Section V – A.
  - e. Spring and compressed gas rifles and handguns (pellet and BB guns).
  
2. Allowed Positions:
  - a. Prone, Creedmore
    - i. Only from positions on the concrete deck.
  - b. Sitting, Kneeling
    - i. Only from positions on the concrete deck.
  - c. Benchrest
  - d. Offhand
  
3. Only aimed fire is allowed on this range
  
4. Each bay on the 50-yard range has a center position and two side positions. The center positions must be used when shooting a full-auto firearm or when drawing from a holster. Otherwise, any open position can be used with these restrictions:
  - a. A center position may only be used when neither side position in the bay is occupied.
  - b. The center position must be given up if someone wishes to shoot from a side position and there are no side positions available in the other range bay. The shooter can move to an open side position unless they are shooting a full-auto firearm or drawing from a holster.
  
5. No live fire will ever be forward of the designated firing line on any range at any time.
  
6. No live fire will ever be from any firing position other than the numbered firing positions on each respective range.

## **Section IV: Range Rules (cont.)**

### **Specific Rules: - 50 –Foot Range:**

1. Approved Firearms:
  - a. Center fire, rimfire, muzzle loaders, and air guns – Rifles and Handguns
  - b. Shotguns. – Rifled slugs or slugs with sabots.
  - c. Class III (Full-Auto) – See Rules for Full-Auto in Section V - A.
  - d. Spring and compressed gas rifles and handguns (pellet and BB guns).
  
2. Allowed Positions:
  - a. Prone, Creedmore
    - i. Only from positions on the concrete deck.
  - b. Sitting, Kneeling
    - i. Only from positions on the concrete deck.
  - c. Benchrest
  - d. Offhand
  
3. Aimed fire and point - shoulder shooting are allowed, provided that all shots impact the berm in the center third only. Shooting from the hip and other types of point shooting are not allowed.
  
4. Each bay on the 50-foot range has a center position and two side positions. The center positions must be used when shooting a full-auto firearm or when drawing from a holster. Otherwise, any open position can be used with these restrictions:
  - a. A center position may only be used when neither side position in the bay is occupied.
  - b. The center position must be given up if someone wishes to shoot from a side position and there are no side positions available in the other range bay. The shooter can move to an open side position unless they are shooting a full-auto firearm or drawing from a holster.
  
5. No live fire will ever be forward of the designated firing line on any range at any time.
  
6. No live fire will ever be from any firing position other than the numbered firing positions on each respective range.

## **Section IV: Range Rules (cont.)**

### **Specific Rules - Shotgun Patterning Range:**

1. The targeting supports on the patterning shotgun range may be used to pattern shotguns using lead, steel, or non-toxic birdshot with the lightest load that will serve the purpose. Lead shot sizes larger than #2, steel (and other non-lead) shot sizes larger than BBB, buckshot, buck and ball, specialized defensive loads, and slugs are not permitted on this range.
2. The patterning shotgun range may also be used for other purposes approved by the Executive Committee.
  - a. MD DNR sponsored hunter safety classes.
  - b. Special shotgun training classes run by a BRGC-approved instructor.
3. There are designated firing positions on the range at 5 yards, 10 yards, 20 yards, 25 yards, and 30 yards.
  - a. Positions are designated by two red bricks.
  - b. The two red bricks define the firing line for that position.
  - c. Shooter must stand between the two red bricks when firing.
4. There may be only one person shooting on the range at any one time.
  - a. There may be up to four guests or members on the range with the person shooting.
  - b. All individuals on the range who are not the person actively firing must be behind the firing line for the position in use. Any other location on the range is prohibited during firing.
5. Approved Firearms:
  - a. Handguns firing shotshells, or handheld muzzleloaders firing shot, may only be used at the 5 yard and 10 yard positions.
  - b. Long guns with rifled barrels firing shotshells, or muzzleloaders firing shot, may only be used at the 5 yard and 10 yard positions.
  - c. Shoulder fired shotguns using birdshot of .410 caliber and greater may only be fired from the 20 yard, 25 yard, and 30 yard positions.
6. Allowed Positions:
  - a. Standing – offhand
  - b. Sitting
  - c. Kneeling
7. All firearms must be fired from directly in front of the targeting berm and pointed so that the pellets impact through the center of the designated target area and into the dirt berm behind. Remember that you are firing downhill.
8. Only aimed or pointed fire is allowed.

9. **This is not a tactical shotgun range:** Shooting while moving, shooting from the hip, transitioning between firearms, tactical reloads, holster draw, and any similar activities are prohibited.
10. Rapid fire shooting on this range is not permitted. There should be at least 2 seconds between each shot.
11. The shotgun patterning range does not have overhead baffles or side walls. Before using the shotgun patterning range, make a visual inspection to ensure that no people or wildlife are down range beyond the berm and backstop. Be aware of any activity by the neighbors near the property.
12. The gate, by the Club house, to the shotgun range must remain closed and locked while the shotgun patterning range is in use.
  - a. The range flag on the wood backstop should be placed in the down position.
  - b. The range in use sign at the gate should be active.
  - c. The yellow chains located near the archery range delineating the shotgun patterning range must be up.
13. Targets must be placed on the target support cables in the area designated on the cables.
  - a. The target placement area is designated by cable stops and red paint.
  - b. Clips are provided to hold targets onto the cables.
  - c. Targets may not be placed on the berm or the wood backstop.
14. Targets on the shotgun range are limited to paper, cardboard or balloons.
15. Thrown targets of any kind are prohibited.
16. Individuals using the Shotgun Patterning Range are to provide their own materials and must clean up after use. Shooters should remove used shotgun shells, wads, targets, and target fragments from the berm and shooting area and place them in the trash.

## **Section IV: Range Rules (cont.)**

### **Specific Rules - Archery Range:**

1. The following equipment is permitted on the archery range:
  - a. compound bows
  - b. recurve bows
  - c. longbows
  - d. crossbows
  - e. airbows
2. Target and field points are the only points permitted. Broadheads are not permitted.
3. There is a formal firing line and four designated shooting positions on that firing line.
4. Standard range etiquette and requirements for use of the range flag and calling the range "HOT" or "COLD" should be followed.
5. Shooting is only permitted from the firing line, and only at BRGC-approved and supplied targets.
6. There are four shooting distances (10 yards, 20 yards, 30 yards, and 40 yards) on lanes 1, 2 and 3. Lane 4 has an additional distance of 50 yards.
7. Target stands and targets may be placed at any of the prescribed distances on the range by physically moving the stand and target combination and placing it in the stand holders for the desired distance when the range is cold.
8. The minimum distance to the target for an archer using a bow with an effective draw of 35 pounds or greater is 20 yards. An archer using a bow with a lesser effective draw may shoot at the 10 yard distance.
9. The target at 50 yards on lane 4 is a static target and may not be moved by an archer.
10. Archers may only shoot at targets which are in the same lane as the shooting position used.
11. Bows shall be made safe and placed on the bow rack next to the shooting position when the line is "cold."
12. Bows shall only be cocked or drawn and an arrow nocked when on the firing line.
13. Sky drawing is prohibited.
14. Arrows shall be kept in quivers, arrow holders, or the yellow containers until used.
15. Archers shall inspect the area behind the targets before the firing line is made "hot."
16. Personnel shall only go downrange after the line is declared "cold." Personnel are only permitted to go downrange from the firing line. Entry from the side or rear of the range is not permitted.

17. A maximum of four archers shall be on the line at any one time. There should be only one archer at any of the designated shooting positions.
18. Eye protection is mandatory.
19. Hearing protection is optional.
20. The archery range may also be used for other purposes approved by the Executive Committee.

## **Section V: Special Rules for Specific Types of Firearms**

### **Class III (Full-Auto) Firearms:**

1. Only the BRGC Class III Officer and/or Assistant Class III Officer may issue a BRGC Class III Certificate
2. Any member may be certified to shoot Class III firearms after completing the Class III certification. The registered owner of the Class III firearm(s) must be certified and present at all times the Class III firearm is on BRGC property. The registered owner of the class III firearm(s) will be responsible for the member shooting their firearm. A non-member may shoot a Class III firearm according to the above requirements AND under the direct supervision of the Class III officer or Assistant Class III officer.
3. Certificates, both BRGC and Federal, are required for the specific Full Auto firearm being fired (mounted, sled, tripod, bipod, etc.) and the specific caliber being fired, i.e., either rifle or pistol.
4. The member must display the BRGC Class III Certificate while loading, unloading or shooting a fully automatic firearm. Class III certification is identified by a red rectangle on the bottom of the range badge.
5. Only members holding a BRGC Class III Certification may load a full magazine, belt or other feeding device on ranges appropriate for the type of firearm they are qualified to fire.
6. A non-certified shooter of a fully automatic firearm may load no more than one (1) round in a magazine, belt or any other feeding device.
7. Firing of full automatic firearms shall also follow all of the General Range Rules and the Range Specific Rules for the range being used.
8. All target frames must be placed in the Red target frame positions. All firing must be done from the Red Box on the firing line.
9. Shooting Positions: 50 Yard and 50 Foot Ranges
  - a. Prone,
  - b. Sitting, kneeling,
  - c. Bench
  - d. Off –Hand (if certified).
10. Shooting Positions: 100 Yard Range
  - a. Offhand firing of fully automatic firearms is not permitted on this range,
  - b. All fully automatic firearms must have a minimum muzzle height of 24” above the concrete deck before being fired, or be fired from the shooting bench,
  - c. After setting up, all fully automatic firearms are required to fire two individual “sighter” rounds before commencing full auto fire,

d. Sand bags shall be used to form a solid support for the firearm to prevent movement.

11. Any pistol caliber full auto firearm or any full auto firearm that can be modified to shoot a pistol cartridge may be fired on the 100-yard range only if approved by the BRGC Class III Officer.

12. Firearms which have bump-fire components are de-facto Class III firearms for purposes of use on BRGC property.

---



## Section V: Special Rules for Specific Types of Firearms (cont.)

### Muzzle-Loading Firearms:

1. Muzzle loading shooters must use either a powder measure or pre-charged powder containers containing a **single** charge, or equivalent pre-formed pellets to load the main powder charge into the barrel. Pouring directly from a powder flask into the muzzle is prohibited.
2. Use only powders recommended by the firearm manufacturer.
3. All containers for storing caps, primers, and powder must be sealed at all times, except when loading. Such containers are not to be kept on the firing line, but must be kept in the ready area behind the firing line unless loading the firearm.
4. Ensure that the firearm is unloaded before loading a charge.
5. Flintlock shooters must advise other shooters near them when preparing to fire.
6. In the event of a misfire, keep the muzzle pointed down range for at least 2 minutes in case there is a hang (i.e. delayed) fire.
7. If a CEASE FIRE is called and the muzzle loader has a projectile and/or propellant in the breech, the shooter will announce "NOT READY. I have to clear this charge." All other shooters should make their firearms safe and step back until the round is fired. After the firearm is discharged, the shooter, when ready, will announce "ALL CLEAR". The line can then be made SAFE.
8. Black powder may not be stored on club property.

## **Section VI: Holster Draw**

1. Range-qualified members must complete the Holster Draw Certification process, demonstrating the ability to safely handle and accurately shoot after drawing from the holster, to be certified. The BRGC Class III Chairperson and/or the Pistol Chairperson will issue certifications.
2. Only the holder of a BRGC-issued Holster Draw Certification may draw from the holster.
3. The Member must display the BRGC Holster Draw Certification stripe when holstering or drawing a firearm from a holster. Holster Draw certification is identified by a yellow rectangle on the bottom of the range badge.
4. Law enforcement personnel and concealed carry permit holders are also required to obtain a Holster Draw Certificate before they may draw from the holster on BRGC Ranges.
5. Holster draw must follow all applicable rules for the range being used.
6. Only strong side draw is permitted. No cross draw or weak side draw is allowed. Shoulder holsters are not permitted.
7. The sidearm may only be loaded and unloaded on the firing line.
8. The sidearm may only be drawn from a strong-side holster designed to fit that firearm and only when the line is "HOT".
9. All target frames must be placed in the RED target frame holders. All firing must be done from the Red Box on the firing line.
10. Dry firing from a holster is only allowed on the firing line when the line is "hot" and only by range-qualified members with a BRGC-issued holster draw certification or people in a professionally-led class.

## **Section VII: Disciplinary Action**

1. Disciplinary action will be carried out in accordance with the club Bylaws and Internal Operating Procedures.

## **Appendix A – Definitions**

**Aimed fire shooting** - shooting when the full capabilities of the sights available on the firearm are used to aim the firearm at the target. For example, using the front and rear sights on an open sighted firearm together is aimed fire. Using only the front sight is point – shoulder shooting. Using the dot of a red dot sight, a laser, or the reticle of a scope is aimed fire. Firing from the hip is point shooting.

**Bay** – a group of firing lanes bounded on the sides by wood posts.

**Berm** – a mound of dirt, soil, sandbags, or other material. As used in this document, a berm is the hill at the rear of the range. It is intended to arrest the travel of projectiles that impact its face.

**Bird shot** – the smallest size of shot available, generally used for shooting birds or small game, such as squirrels or rabbits. Shot may be made of lead, brass, steel, tungsten, or other materials, and is ball-shaped. It is identified by a number or letter.

**Buck shot** – shot that is larger than bird shot. Shot may be made of lead, brass, steel, tungsten, or other materials, and is ball-shaped.

**Bump fire** – any components or method of firing which permit a semi-automatic firearm to emulate a fully automatic firearm. This definition also applies to slide-fire components.

**Class III** – a firearm which falls under the Alcohol, Tobacco, Firearms, and Explosives regulations as a restricted firearm and is capable of fully automatic fire.

**Creedmoor or Creedmore** – the shooting of a firearm while on the back or supine position.

**Lane** – a firing position and target stand mounting positions forming a line that is essentially at a right angle to the firing line. Generally, a firing position and the associated in-lane target stand mounting positions are each have the same numerical identifier affixed. For example, firing position 1 will have target stand mounting positions also identified by the numeral 1.

**No blue sky range** – as defined by the NRA in their Range Development Manual, a “no blue sky” range is one that shows little, if any, sky between the top of the backstop and the bottom of an overhead baffle when viewed from the firing line.

**Offhand** - the shooting of a firearm from a standing position without the benefit of external support such as a rest, bench or wall.

**Pistol Caliber** - includes all firearms that shoot ammunition originally designed for handgun use, such as the 9mm Parabellum, .40 S&W and .45 ACP rounds. This classification also includes all rimfire cartridges.

**Point shooting** - shooting from the hip or other shooting stance where the firearm is not specifically aimed at the target using the sight available on the firearm.

**Point – shoulder shooting** - shooting from the shoulder such that the front sight lines up with the target.

**Prone position** – a shooting position such that the shooter lays face down on the ground.

**Rifle Caliber** - includes all firearms that shoot ammunition originally designed for rifle or machine gun use, such as the .30-06 and 8mm Mauser. This classification also includes intermediate caliber rounds such as the 5.56 x 45mm, 7.62 x 39mm and 7.92 x 33mm.

## **Appendix B - Target Stand Specifications and Placement**

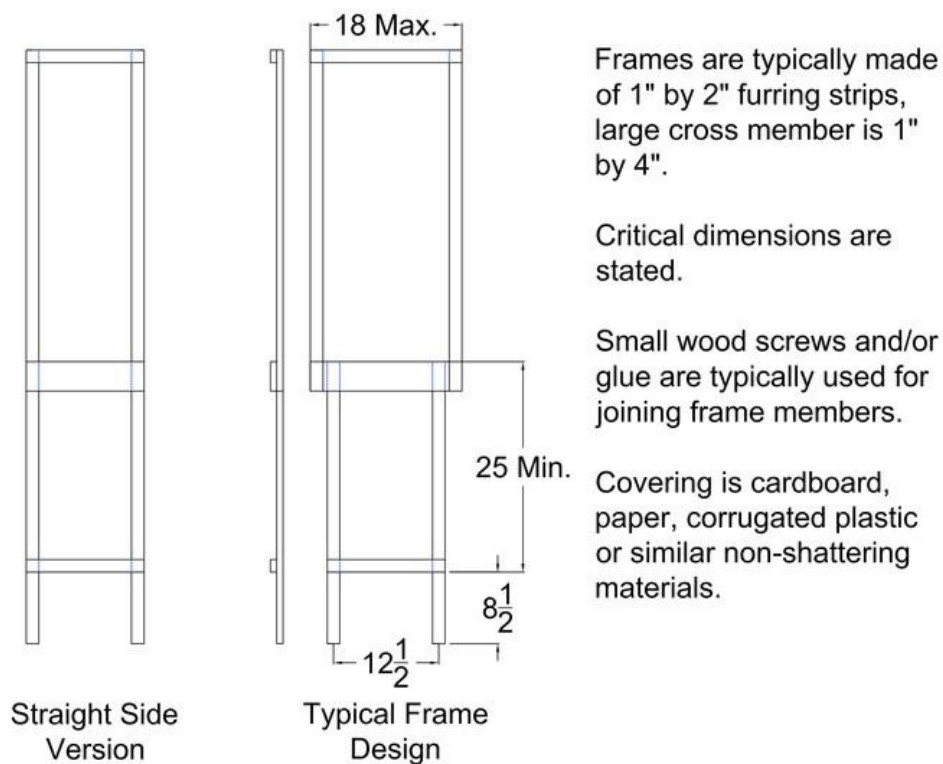
Target stands used on the Berwyn ranges will be constructed of wood framing with cardboard or paper center area for targets. Metal screws, nails and hinges are permitted. Target stands will have no more than the maximum dimensions shown in the drawing.

Target stands must be placed in the fixed target stand holders on each range. The target stands must be directly in front of the shooting position that the member will shoot from. You may not shoot at a target that is not directly in front of your shooting position.

You may not place a target directly on the berm, on a walkway, on a target stand holder or anywhere else except on a target stand.

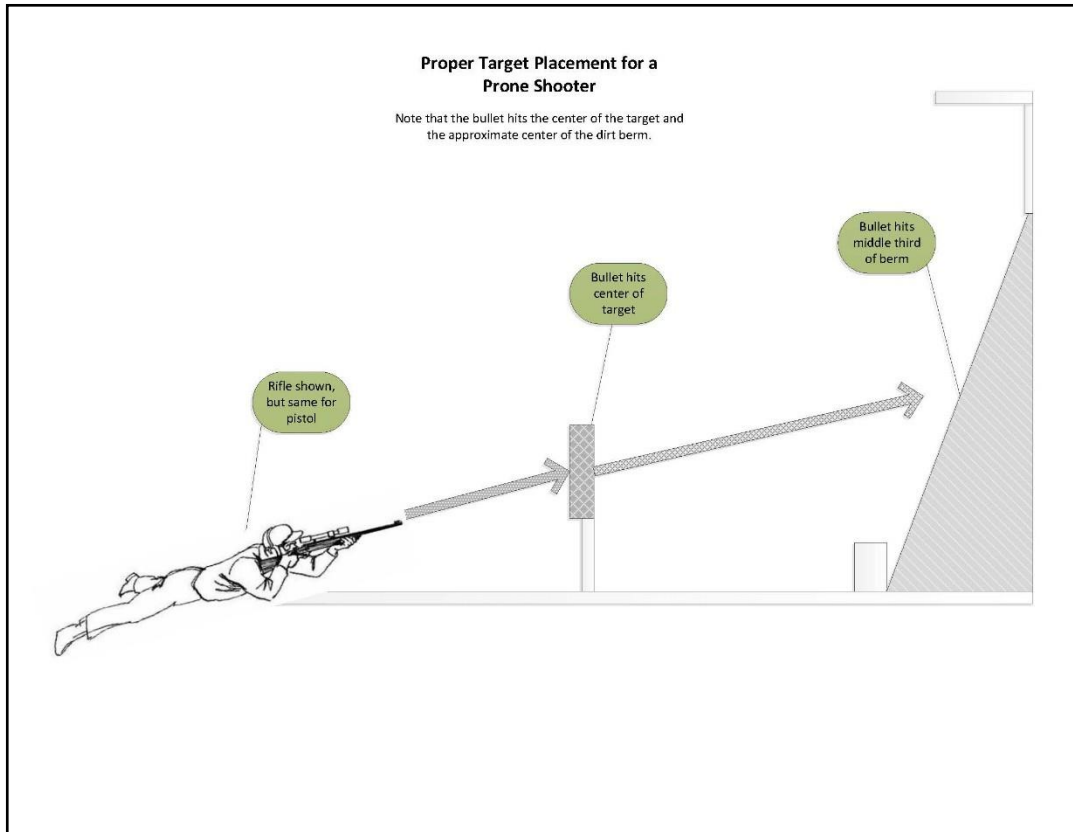
Targets must be attached inside the outer frame of the target stand in a position such that a bullet fired at your intended shooting height will pass in a straight line through the target and into the berm. Targets of any other type are specifically prohibited.

Shooters must place their targets so that the shots will pass through the target horizontally and impact approximately midway on the berm. Shots must not strike the ground, baffles, posts, retaining walls or any other surface that may cause a projectile to ricochet or cause damage to the range equipment.



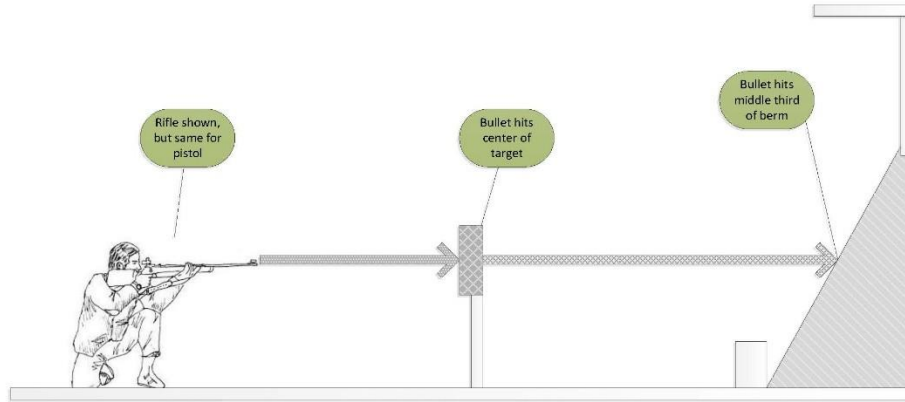
## Appendix C: Proper Target Placement Diagrams

There are three diagrams below that show shooters in the prone, kneeling, and standing positions. In each diagram, note that the target is placed so that the shot goes through the center of the target and hit the middle third of the dirt berm. Adjust the height of the target so the bullet strikes correctly. It is critical that shots impact the berm properly.



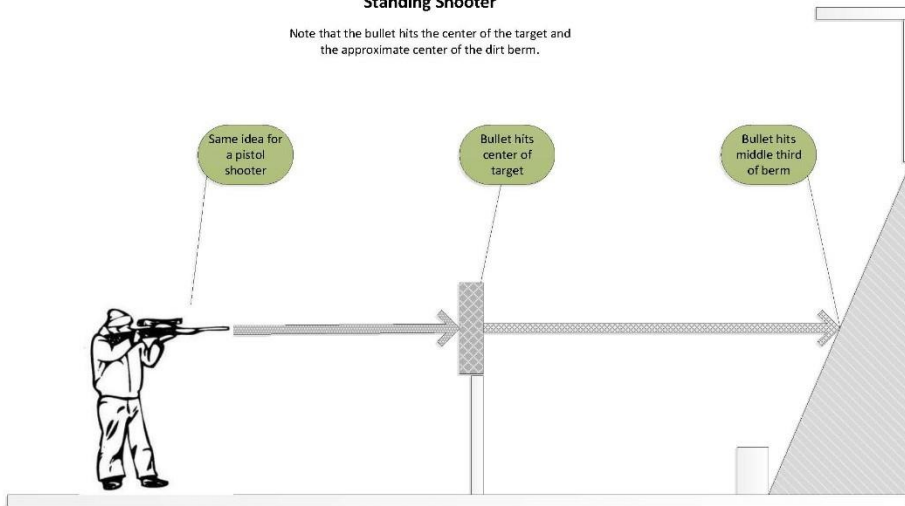
### Proper Target Placement for a Kneeling Shooter

Note that the bullet hits the center of the target and the approximate center of the dirt berm.



### Proper Target Placement for a Standing Shooter

Note that the bullet hits the center of the target and the approximate center of the dirt berm.





## **Appendix D: Professional Trainers and Classes**

Professional trainers, as sanctioned by the Executive Committee, may conduct classes on BRGC property. The course content and course of fire shall be clearly and completely explained to the Executive Committee and approved before coursework is performed on BRGC property. Live fire exercises may be conducted as part of an approved structured and compensated class that:

- Place targets in non-standard positions. The targets must still be placed such that shots strike the dirt berm. Shooters, targets, or both shall be adjusted as needed so this happens.
- Use shooting positions other than prone, sitting, or offhand.
- Require students to draw a loaded firearm from a holster. This shall only be done at the firing line and with a student-to-instructor ratio of 1:1.
- No live fire will ever be forward of the designated firing line on any range at any time.
- No live fire will ever be from any position other than the numbered firing positions on each respective range.

Instructors are tasked to ensure that the students act in a safe manner and exercises are performed safely. If necessary, the instructor shall help the student align their firearm so that shots will impact the berm.

Targets must still be non-exploding and have no sharp shards after being struck by a pellet or bullet.

Trainer/Instructor and students may occupy only 1 bay at a time on any range.

The instructor shall be clearly identified to other personnel on the range as an instructor. Instructor identification is by a green stripe on the right side of the range badge, relative to the wearer, or left side relative to the viewer.

The students shall clearly be identified as students to other personnel on the range.

Students are not permitted to fire without an instructor's explicit permission.

BRGC rules regarding range security, use of waivers and sign-in logs, range safety, etc. shall be adhered to. The instructor is responsible for the conduct of the students.

## **Appendix E – Quick Reference Guide**

This guide includes basic information on the use of the ranges and does not cover every possible situation. See the detailed sections for further information before using any club range for the first time.

**If a safety rule does not explicitly permit an event on a range, it is prohibited.**

The range operation hours are:

Monday through Saturday: 8:00 AM to Sunset

Sunday: 10:00 AM to Sunset

The ranges are to be used only with the following types of firearms:

**100 Yard Range** – Centerfire and rimfire rifles, shotguns with rifled slugs or slugs with sabots, muzzle-loading rifles, air and spring powered firearms, rifle caliber full auto firearms. There are restrictions on the types of ammunition that can be used.

**50 Yard Range** – Centerfire rifles and handguns, rimfire rifles and handguns, shotguns with rifled slugs or slugs with sabots, Muzzle-loading firearms, Rifle and Pistol caliber full auto firearms, muzzle loading firearms, air and spring powered firearms. There are restrictions on the types of ammunition that can be used.

**50 Foot Range** – Centerfire handguns, rimfire rifles and handguns, muzzle loading firearms, Shotguns with rifled slugs or slugs with sabots, Pistol caliber full auto firearms, air and spring powered firearms. Centerfire rifles may be sighted in on this range. There are restrictions on the types of ammunition that can be used.

**Shotgun Pattern Board** – Shotguns with birdshot only. There are restrictions on the types of ammunition that can be used.

**Archery Range** – Compound, long, recurve, and cross bows with field points. Special requirements and exceptions exist. See Section IV, Specific Rules – Archery Range for more information.

**Holster draw** is only allowed if the shooter is holster draw certified by BRGC. See Section VI for requirements.

You may only shoot from the fixed firing positions on the 100 yard, 50 yard and 50 foot ranges. You may not shoot from forward of the fixed firing positions on any range, at any time, for any reason.

You must use a target stand that meets the requirements of Appendix B on the 100-yard, 50-yard and 50-foot ranges. You must place the target stand only in the fixed target stand holders on the ranges. You may only shoot at a target stand that is directly in front of your shooting position.

The main range gate must be locked immediately behind a Member after entering or exiting the main range unless directed otherwise by a Match Director or by the Executive Committee.

Every member must sign in legibly and include their Range Badge Number on the range log before shooting. Members must sign out after shooting, with the date and the time in and time out noted. Each Member must write the names of any guests on the comment line of their range log entry.

All guests and family members without their own range badge are required to read and sign a "RELEASE, WAIVER, INDEMNIFICATION, HOLD HARMLESS AND ASSUMPTION OF THE RISK AGREEMENT" form before using any firing range. A signed form must be on record with the Club. This form must be filled out for each visit to the range.

Members are responsible for the conduct of their guests on BRGC property.

A member may not have more than four (4) dependents/guests at any one time.

A guest of a member:

- May shoot only from the same point that the Member is using.
- May shoot only when the Member is not shooting.
- Must be directly supervised by the Member that they are with.
- May not draw from a holster and fire.
- May not fire an automatic firearm using a magazine that has more than a single round in it.

Alcoholic beverages may not be consumed on any range or in the adjacent parking lots.

Any person physically or mentally impaired by any drug or alcohol is not permitted on any range. Members are requested to contact the Executive Committee immediately if this is observed.

## **Appendix F - Firearms Safety Training Courses**

The Executive Committee recognizes that these firearms courses, experience, or training give the firearms user at least 8 hours of safe firearms handling.

- Any NRA Basic Course (Pistol, Rifle, Shotgun, Muzzleloader)
- NRA Basic Personal Protection In The Home Course
- NRA Basics Of Personal Protection Outside The Home Course
- NRA Carry Guard Level 1 Training Course
- NRA Range Safety Officer
- NRA Chief Range Safety Officer
- NRA Instructor - any discipline
- Project Appleseed Instructor
- Civilian Marksmanship Program Range Officer or Master Instructor
- MPCTC approved certification classes
- MSP approved "Wear and Carry" classes
- Maryland Hunter Safety Instructor
- Military Experience and / or Training
- Law Enforcement Experience and / or Training
- LEOSA qualification
- Law Enforcement Instructor certifications

## **Revision Log**

### Revision 5 February 10, 2019

Section III General Rules. Items 12,13 and 14 added

Section IV, General Rules, Item 5 Revised

Section IV, Specific 50 Yard Rules, Item 4b Revised

Section IV, Specific 50 Foot Rules, Item 4b Revised

Created Revision Log

### Revision 5.1 March 21, 2019

Specific Rules Shotgun Patterning Range. Total rewrite.

### Revision 5.2 May 8, 2019

Specific Rules Archery Range. Total rewrite.

### Revision 5.3 September 13, 2019

Section 1, Safety Rules, Inserted Item 13 to define firearm transport procedures.

Section 1, Safety Rules, Other Items re-numbered due to insertion of new Item 13.

Document re-formatted for easier reading/printing.

Table of Contents modified to reflect correct page numbers.