

Berwyn Rod and Gun Club, Inc.



Range Rules

November 10, 2016

Berwyn Rod and Gun Club, Inc.

Range Rules

Berwyn Rod and Gun Club, Inc.

Range Rules

Table of Contents

Section I – Safety Rules	5
Section II - Administrative Rules	8
Section III - General Rules	10
Section IV - Range Rules	11
A. Restrictions	11
B. General Rules: 100-Yd, 50-Yd, and 50-Ft Range	12
C. Specific Rules: 100-Yard Range	13
D. Specific Rules: 50 –Yard Range	14
E. Specific Rules: 50 –Foot Range	14
F. Specific Rules: Shotgun Range	15
G. Specific Rules: Archery Range	16
Section V - Special Rules for Specific Types of Firearms	17
A. Class III (Full Auto) Firearms	17
B. Muzzle-Loading Firearms	18
Section VI: Holster Draw	19
Section VII - Disciplinary Action	20
Appendix A – Definitions	21
Appendix B – Target Stand Specifications	22
Appendix C – Target Placement Diagrams	23
Appendix D – Professional Trainers and Classes	25
Appendix E – Quick Reference Guide	26

Section I: Safety Rules

1. **Always keep the gun pointed in a safe direction.** Rifles and Pistols – when out of the case – Moving onto or off of a range, point the muzzle straight up. On a range, point the muzzle downrange.
2. **Always keep your finger off the trigger until ready to shoot.** Keep your finger outside of the trigger guard until ready to shoot.
3. **Always keep the gun unloaded until ready to use.** All firearms, when carried from one point to another, anywhere on the facility, will be unloaded and the action opened.

Following the above three rules and the rules covered in the rest of this document will help ensure that members and guests can enjoy the use of the ranges in a safe manner. Some of the rules address requirements mandated by the design of the ranges themselves. The BRGC ranges were designed as a "no blue sky", known-distance, static range. The range design requires that no cross shooting occurs, and that shooting be permitted only from the prescribed firing lines and respective positions.

No live fire will ever be forward of the designated firing line on any range at any time.

No live fire will ever be from any firing position other than the numbered firing positions on each respective range.

These rules are binding on all who use the BRGC ranges. **Compliance is mandatory.** Violation of these rules constitutes grounds for suspension of range privileges or other disciplinary action by the Executive Committee, as covered in the Bylaws and Internal Operating Procedures.

1. **Know how the firearm operates.** Do not attempt to load or fire any firearm if you do not know how to handle and operate it properly.
2. **Be sure the firearm and ammunition are compatible.**
3. **Be sure of your target and what is beyond.** Be sure that the round will impact the berm.
4. **Be aware that certain circumstances may require additional safety precautions.**
5. **DO NOT** go forward of the firing line on any range until you:
 - a. Announce your intention to do so by calling a **"CEASE FIRE"**.
 - b. Verify that no one is handling a firearm on or behind the firing line.
 - c. Verify that all firearms on the firing line are unloaded with actions open and magazines removed and an empty chamber indicator (ECI) is installed **IN THE CHAMBER/BORE.**
 - d. Set the range flag in an up position to indicate the range is **"COLD"**.

- e. Declare the line is "**COLD**" (*Safe*) **before going forward to post or change targets.**
6. The range safety flags should be set down" (horizontal), and the yellow walkway chains fastened across the walkway entrance on the ranges so equipped, when the line is "HOT", and range safety flags should be set "up" when the line is "COLD" (Safe). The person who calls the line "HOT" or "COLD" is responsible for ensuring the safety flag and chain is set correctly.
7. **DO NOT** handle a firearm, or anything else, on the firing line while someone is forward of the line when the range has been declared COLD.
8. **DO NOT** handle a firearm behind someone on the firing line.
9. Do not pick up brass from the deck while the range you are using is hot.
10. Before handling any firearm on the firing line verify "**IS THE LINE HOT?**"
11. Every person on or near a hot firing line must wear eye and hearing protection whether they are shooting or not.
12. Any firearm **not** on the firing line must be securely holstered or unloaded and cased or unloaded and placed in a firearms rack with the action open and detachable magazine (if any) removed and an empty chamber indicator (ECI) installed in the chamber and bore.
13. Any firearm on the firing line that is not cased, holstered or being fired must:
 - a. Be unloaded and benched or grounded with the muzzle pointed down range (or vertically up in the case of muzzle loaders) and the ejection port facing up
 - b. Have any detachable magazine removed
 - c. Have the action open and have a clearly visible safety block /empty chamber indicator (ECI) installed in the chamber and empty bore.
14. Aiming, pointing, or dry firing a firearm is permitted only on the firing line and toward the target or backstop when it is safe to fire and the line is "**HOT.**" Exception will be given in an instructional environment after all that are present agree the firearm is unloaded.
15. Once a firearm has been loaded it may not be left unattended for any reason.
16. Cease-fire immediately if you see a person, vehicle or animal down range. Do not resume firing until the area is clear.
17. The only people permitted on the firing line while the line is "**HOT**" are the shooters, people instructing and/or spotting. All others must remain behind the firing line.
18. Any person can call "**CEASE FIRE**" on a firing line if an unsafe condition develops. If a cease fire is called, all shooters must:

- a. Immediately stop shooting, point the muzzle in a safe direction.
- b. Put the firearm down.
- c. Step away from the firearm.
- d. Firearms shall be handled only when the issue is resolved and the range is declared hot.

19. If the ENTIRE range is not clearly visible, for example rain, snow, fog, etc., do not begin shooting, or stop immediately if shooting is in progress.

20. All guests, children, and students must be directly supervised at all times while on BRGC property.

21. Authorized or emergency work parties may close one or more ranges to engage in maintenance and repair activities on, around, or behind the ranges provided:

- a. Range flags are placed in an "UP" position on the affected range(s).
- b. Signs are posted on the affected range(s) declaring the activity.
- c. Signs are posted at the range sign-in location declaring the activity.
- d. All related signs are removed at the end of the activity.

SECTION II: Administrative Rules

1. Range operating hours:
 - a. Shotgun, Rifle and Pistol Ranges are normally open to the Membership as follows:
 - i. Monday through Saturday: 8:00 AM to Sunset
 - ii. Sunday: 10:00 AM to Sunset
 - iii. Sunset is the time specified by the National Weather Service for Sunset in Bowie, Maryland. This information is available on the internet.
 - b. An exception to this schedule is for BRGC scheduled events. Every effort will be made to keep the Members notified of scheduled BRGC events in advance of the event.
2. Ranges are for the use of:
 - a. Members of BRGC – Member, Spouse Member, and dependent child Member.
 - b. Guests invited and under the direct supervision of a BRGC Member.
 - c. Registered Participants shooting in a BRGC match, but only while shooting in that match.
 - d. Registered Participants in a BRGC approved event such as:
 - i. Safety Training class,
 - ii. Hunter Safety Class,
 - iii. Public Sight-In Day(s),
 - iv. Other club social events
 - v. Professional Training Class
3. Members must attend the BRGC Range Rules Orientation before a Range Badge can be issued.
4. Upon completion of the Range Rules Orientation, Members are considered “range-qualified”.
5. Every Member on the ranges must display a current valid BRGC range badge. ***A Member without their range badge is not permitted to shoot on any range.***
6. The main range gate must be locked immediately behind a Member after entering or exiting the main range unless directed otherwise by a Match Director or by the Executive Committee.
7. Every Member, as soon as arriving on the range and before beginning an event or a function or a session at one of the ranges, must sign in legibly, and include their Range Badge number on the range register before shooting. They must sign out after shooting, with the date and the time in and time out noted.
8. All guests and students are required to read and sign a “RELEASE, WAIVER, INDEMNIFICATION, HOLD HARMLESS AND ASSUMPTION OF THE RISK AGREEMENT” form before using any firing range. A waiver must be filled out for each visit to the range. Family members without their own range badge must also fill out the waiver form each visit. .

- a. The sponsoring member or instructor is responsible for ensuring that the form is completely and legibly filled out.
 - b. The member's name and badge number must be legibly printed on the waiver.
 - c. The waiver must be filled out as soon as guests and members are on the property and before attending an event or function at the range.
9. Members are responsible for the conduct of their guests on BRGC property.
10. A Member may not have more than four (4) Dependents/Guests at any one time.
11. A Guest of a Member:
- a. May shoot only from the same point that the Member is using.
 - b. May shoot only when the Member is not shooting.
 - c. Must be directly supervised by the Member that they are with.
 - d. May not draw from a holster and fire.
 - e. May not fire an automatic firearm using a magazine that has more than a single round in it.
12. Individual ranges may be temporarily closed to general use during BRGC scheduled events. Every effort will be made to keep the Members notified of scheduled BRGC events in advance of the event.

SECTION III: General Rules

1. **If a rule does not explicitly permit an event on a range, it is prohibited.**
2. All Members who receive a range badge are responsible for range safety and ensuring compliance with club rules, and as such, are responsible for ensuring other Members and Guests comply with these range rules.
3. Observation of a range rule violation is to be handled on the spot. If the issue cannot be immediately resolved or the observer judges it a serious nature, the violation should be reported to a Member of the Executive Committee immediately. (Phone numbers are posted in the sign in shelter and the clubhouse.)
4. Hunting or the intentional killing of any wildlife or domestic animal is prohibited on BRGC property. All wildlife habitat including trees, plants, shrubs, nests, burrows are not to be disturbed.
5. Climbing or walking on berms, backstops, baffles or retaining walls is prohibited.
6. Alcoholic beverages may not be consumed on any range or in the adjacent parking lots when the range is scheduled to be open for shooting.
7. Any person physically or mentally impaired by any drug or alcohol is not permitted on any range. Members are requested to contact the Executive Committee immediately if this is observed.
8. Members, guests, or visitors, except for law enforcement officers on official business, may not wear loaded side arms on BRGC property except for holster draw certified members while on the firing line. Anyone with a loaded pistol not on the firing line must empty the firearm of ammunition and verify the firearm is empty. A person with a loaded firearm may take the firearm directly from the point of entry on the property to the unloading station so they may test fire their firearm to verify it is empty. An unloading station is provided at the 50-yard range for this purpose.
9. Each shooter is responsible for cleaning up after shooting. This includes removing targets, cleaning up shell casings, and throwing away trash.
10. The Executive Committee may issue a "Special Use Permit". Special Use Permits may only be issued for specific activities and only for a very limited time period. Special Use Permits cannot be issued for activities that violate the range design criteria.
11. Rules 3, 4, and 5 do not apply to sanctioned maintenance activities.

Section IV: Range Rules

Restrictions:

1. Hard targets of metal, glass, hard plastic, bowling pin, etc. are not permitted on any range at any time.
2. Targets designed to explode are prohibited.
3. Tracer, armor piercing, explosive, or incendiary ammunition is not allowed.
4. All “dud” rounds must be disposed of properly. Cans for duds are available on the range. They are red in color.
5. Food and beverages are not permitted on any range firing line.
6. Smoking is not permitted within 30’ of any firing line.
7. Explosive devices such as incendiary devices, bombs, grenades and other destructive devices as defined in 18 USC 44.921(4) and 26 USC 53.5845(f) are not permitted on BRGC property at any time, except for shotguns classified as destructive devices with the proper legal paperwork.
8. No combination of firearm and ammunition that produces a muzzle energy value of more than 8,000 ft-lbs, such as a 50-caliber BMG round, can be fired on any BRGC range. The shooter is responsible for verifying that their chosen firearm and ammunition combination is under the 8,000 ft-lbs limit.
9. Any combination of firearm and ammunition that produces a muzzle energy of more than 4,000 ft. lbs. can only be fired from a bench-rest position on any BRGC range. This includes some belted magnum cartridges and most large game cartridges among others. The shooter is responsible for utilizing a shooting position which conforms to their chosen firearm and ammunition combination.
10. No combination of firearm and ammunition which utilizes a self-propelled projectile can be used on any BRGC range.
11. Firearms classified under 26 USC 53.5845(a) as short barreled rifles (SBR), short barreled shotguns (SBS), machine guns, any other weapons (AOW), shotguns classified as destructive devices or those equipped with a silencer may be fired on BRGC ranges subject to the specific rules for each range. The owner of a firearm of these types must be present with the firearm and have in their possession a copy of the federal forms showing that they are the registered legal owner of that firearm.

12. Shotguns may be fired on the:

- a. 100-yard range only from the Red Box positions with rifled slugs or slugs with sabots. Shot of any size is not permitted.
- b. 50-yard range from the Red Box shooting positions with rifled slugs or slugs with sabots. Shot of any size is not permitted.
- c. 50-foot range from the Red Box positions using rifled slugs or slugs with sabots. Shot of any size is not permitted.
- d. Trap pattern board with lead, steel or non-toxic shot. Only birdshot can be used.

13. A parent, guardian, or spouse who is twenty-one years of age or older, of a minor person may allow the minor to use a firearm or the ammunition for any lawful purpose while under their direct supervision, or while the minor person receives instruction in the proper use of firearms from an instructor twenty-one years of age or older, with the written consent of such parent, guardian or spouse. Range Safety Officers (RSO) on duty may direct that minor children be removed from the range or not participate in shooting activities if the RSO believes there are health or safety risks to the minor or other range users due to the presence of and/or participation of the minor.

General Rules:

1. All firing on these ranges must take place from the designated firing points behind the firing line. The designated centerline of each firing point is defined by a numbered green stripe on the bench on the 50-yard and 50-foot ranges.

No live fire will ever be forward of the designated firing line on any range at any time.

No live fire will ever be from any firing position other than the numbered firing positions on each respective range.
2. Shooters may shoot only at the targets directly in front of them in the target position that is the same as their firing position. Cross firing is not permitted.
3. BRGC target stands and target placement on those stands are defined in Appendix B.
4. Only paper, soft plastic, and party type balloons may be used as targets provided they are attached to a BRGC-approved target frame. All targets must be placed at the proper height so bullet impacts on the berm are in line with existing guidelines. Balloons must be attached so the target area of the balloon stays inside the BRGC approved target stand dimensions. See **Appendix B** for target placement requirements.
5. Only single point or single bullseye targets are to be used on the 7 yard target position of the 50 foot range, and the 25 yard target position of the 50 yard range, to reduce

damage to the range structures. Multiple targets and/or multi-point sight-in type targets should only be used at the farthest firing distances on the 50 foot and 50 yard ranges.

6. The 50 yard and 50 foot ranges have yellow safety chains at the entrance to the walkways that extend down the side of the range. These chains shall be strung across the walk entrance and latched in place to physically restrict personnel from going forward of the firing line whenever the range is "hot".
7. Each bay of the firearms ranges has the outline of a rectangle painted in red on the concrete pad at the firing line. These red boxes mark the center shooting position in each bay. These red boxes designate the ONLY acceptable shooting position to fire shotguns and fully automatic firearms from, and to draw from a holster and fire. Each red box in each range bay is numbered and there is a corresponding number for the appropriate target position to use.
8. Empty chamber indicators (ECI) shall be used to indicate a firearm is unloaded and made safe. The ECI shall be placed so the stem is inserted into the chamber and bore of the firearm, not just in the action or magazine well. ECI's shall be yellow or orange and shall be placed in each firearm and positioned so they may easily be seen without having to move or reposition the firearm.
9. The use of chronographs is permitted on all gun ranges as long as they are used in accordance with their manufacturer's instructions. Bullet impact must be consistent with BRGC range rules.

Specific Rules - 100-Yard Range:

1. Approved Firearms:
 - a. Centerfire and rimfire rifles.
 - b. Centerfire or rimfire pistols if the combination of handgun and ammunition can be expected to be accurate out to 100 yards or more when fired.
 - c. Muzzle loading – Rifles and Handguns – **Single Projectile loads only.**
 - d. Shotguns – **Rifled slugs only or slugs with sabot, no shot allowed.** All firing must be done from the Red Box on the firing line.
 - e. Class III (Full-Auto) – See Rules for Full-Auto in Section V – A.
 - f. Spring and compressed gas rifles and handguns (pellet and BB guns).
2. Allowed Positions:
 - a. Prone, Creedmore,
 - i. Only when boards are in place.
 - ii. Only from positions on the concrete deck.
 - b. Sitting and Kneeling
 - i. Only from positions on the concrete deck.
 - c. Benchrest
 - d. Offhand
3. Only aimed fire is allowed on this range.
4. Benches must be aligned on black squares.

5. No live fire will ever be forward of the designated firing line on any range at any time.
6. No live fire will ever be from any firing position other than the numbered firing positions on each respective range.

Specific Rules - 50 –Yard Range:

1. Approved Firearms:
 - a. Center fire and rimfire – Rifles and Handguns.
 - b. Muzzle loading – Rifles and Handguns – **Single Projectile loads only.**
 - c. Shotguns – **Rifled slugs or slugs with sabot only, no shot allowed.** All firing must be done from the Red Box on the firing line.
 - d. Class III (Full-Auto) – See Rules for Full-Auto in Section V – A.
 - e. Spring and compressed gas rifles and handguns (pellet and BB guns).
2. Allowed Positions:
 - a. Prone, Creedmore
 - i. Only from positions on the concrete deck.
 - b. Sitting, Kneeling
 - i. Only from positions on the concrete deck.
 - c. Benchrest
 - d. Offhand
3. Only aimed fire is allowed on this range
4. Each bay on the 50-yard range has a center position and two side positions. The center positions must be used when shooting shotguns, a full-auto firearm or when drawing from a holster. Otherwise, any open position can be used with these restrictions:
 - a. A center position may only be used when neither side position in the bay is occupied.
 - b. The center position must be given up if someone wishes to shoot from a side position and there are no side positions available in the other range bay. The shooter can move to an open side position unless they are shooting a shotgun, a full-auto firearm, or drawing from a holster.
5. No live fire will ever be forward of the designated firing line on any range at any time.
6. No live fire will ever be from any firing position other than the numbered firing positions on each respective range.

Specific Rules: - 50 –Foot Range:

1. Approved Firearms:
 - a. Center fire, rimfire, muzzle loaders, and air guns – Rifles and Handguns
 - b. Shotguns. – Rifled slugs or slugs with sabots. All target frames must be placed in the RED target frame holders. All firing must be done from the RED box on the firing line.

- c. Class III (Full-Auto) – See Rules for Full-Auto in Section V - A.
 - d. Spring and compressed gas rifles and handguns (pellet and BB guns).
2. Allowed Positions:
 - a. Prone, Creedmore
 - i. Only from positions on the concrete deck.
 - b. Sitting, Kneeling
 - i. Only from positions on the concrete deck.
 - c. Benchrest
 - d. Offhand
 3. Aimed fire and point - shoulder shooting are allowed - provided that all shots impact the backstop only. Shooting from the hip and other types of point shooting are not allowed.
 4. Each bay on the 50-foot range has a center position and two side positions. The center positions must be used when shooting **shotguns**, a full-auto firearm or when drawing from a holster. Otherwise, any open position can be used with these restrictions:
 - a. A center position may only be used when neither side position in the bay is occupied.
 - b. The center position must be given up if someone wishes to shoot from a side position and there are no side positions available in the other range bay. The shooter can move to an open side position unless they are shooting a shotgun, a full-auto firearm, or drawing from a holster.
 5. No live fire will ever be forward of the designated firing line on any range at any time.
 6. No live fire will ever be from any firing position other than the numbered firing positions on each respective range.

Specific Rules - Shotgun Range:

1. The pattern board on the shotgun range may be used to pattern shotguns subject to the load restrictions listed below.
2. The shotgun range may also be used for hunter safety classes and for special shotgun training classes run by a BRGC-approved instructor provided that these classes do not use thrown targets.
3. Shotguns of sizes .410 caliber through 12 gauge are allowed on this range.
4. No rifle or handgun, regardless of the type of ammunition, may be used on the shotgun range.
5. Lead, steel, or non-toxic shot of size #6 or smaller and a powder charge of no larger than 3 drams equivalent or a maximum muzzle velocity of 1300 fps is permitted on the pattern board.

6. Targets may not be placed on the ground.
7. Targets on the shotgun range are limited to paper or cardboard.
8. Special targets set up and used during hunter safety classes or special shotgun training classes by BRGC-approved instructors may be used, provided the targets are not thrown.
9. The gate to the shotgun range must remain closed while the range is in use.
10. Before using the pattern board, make a visual inspection to ensure that no people or wildlife are down range. Be aware of any activity by the neighbors near the property.
11. Individuals using the Pattern Range are to provide their own materials and must clean up after use.

Specific Rules - Archery Range:

1. Only compound bows, recurve bows, longbows and crossbows are permitted.
2. Target and field points are the only points permitted. Broadheads are not permitted.
3. Shooting is only permitted from the firing line, and only at BRGC-approved targets.
4. Bows shall be made safe and placed on the bow racks behind the firing line when the line is "cold."
5. Bows shall only be cocked or drawn and an arrow nocked when on the firing line. Arrows shall be kept in quivers, arrow holders, or the yellow containers.
6. Archers shall inspect the area behind the targets and at the end of the firing line before the line is made "hot."
7. Personnel shall only go downrange after the line is declared "cold." Personnel are only permitted to go downrange from the firing line. Entry from the side or rear of the range is not permitted.
8. A maximum of three archers shall be on the line at any one time. Archers shall maintain appropriate lateral distances between other archers to ensure safety.
9. Targets may be moved to change the shooting distance. The minimum distance to the target for an archer using a bow with an effective draw of 35 pounds or greater is 20 yards. An archer using a bow with a lesser effective draw may shoot at a target that is proportionately closer.

Section V: Special Rules for Specific Types of Firearms

Class III (Full-Auto) Firearms:

1. Only the BRGC Class III Officer and/or Assistant Class III Officer may issue a BRGC Class III Certificate
2. Any member may be certified to shoot Class III firearms after completing the Class III certification. The registered owner of the Class III firearm(s) must be certified and present at all times the Class III firearm is on BRGC property. The registered owner of the class III firearm(s) will be responsible for the member shooting their firearm. A non-member may shoot a Class III firearm according to the above requirements AND under the direct supervision of the Class III officer or Assistant Class III officer.
3. Certificates are required for the specific Full Auto firearm being fired (mounted, sled, tripod, bipod, etc.) and the specific caliber being fired either rifle or pistol.
4. The Member must display the original BRGC Class III Certificate while loading, unloading or shooting a fully automatic firearm.
5. Only Members holding a BRGC Class III Certification may load a full magazine, belt or other feeding device on ranges appropriate for the type of firearm they are qualified to fire.
6. A non-certified shooter of a full automatic firearm may load no more than one (1) round in a magazine, belt or any other feeding device.
7. Firing of full automatic firearms shall also follow all of the General Range Rules and the Range Specific Rules for the range being used.
8. All target frames must be placed in the Red target frame positions. All firing must be done from the Red Box on the firing line.
9. Shooting Positions: 50 Yard and 50 Foot Ranges
 - a. Prone,
 - b. Sitting, kneeling,
 - c. Bench
 - d. Off –Hand (if certified).
10. Shooting Positions: 100 Yard Range
 - a. Offhand firing of fully automatic firearms is not permitted on this range,
 - b. All fully automatic firearms must have a minimum muzzle height of 24” above the concrete deck before being fired, or be fired from the shooting bench,
 - c. After setting up, all fully automatic firearms are required to fire two individual “sighter” rounds before commencing full auto fire,
 - d. Sand bags shall be used to form a solid support for the firearm to prevent movement.

11. Any pistol caliber full auto firearm or any full auto firearm that can be modified to shoot a pistol cartridge may be fired on the 100 yard range only if approved by the BRGC Class III Officer.
12. Firearms which have bump-fire components are de-facto Class III firearms for purposes of use on BRGC property.

Muzzle-Loading Firearms:

1. Muzzle loading shooters must use either a powder measure or pre-charged powder containers containing a **single** charge, or equivalent pre-formed pellets to load the main powder charge into the barrel. Pouring directly from a powder flask into the muzzle is prohibited.
2. Use only powders recommended by the firearm manufacturer.
3. All containers for storing caps, primers, and powder must be sealed at all times, except when loading. Such containers are not to be kept on the firing line, but must be kept in the ready area behind the firing line unless loading the firearm.
4. Ensure that the firearm is unloaded before loading a charge.
5. Flintlock shooters must advise other shooters near them when preparing to fire.
6. In the event of a misfire, keep the muzzle pointed down range for at least 2 minutes in case there is a hang (i.e. delayed) fire.
7. If a CEASE FIRE is called and the muzzle loader has a projectile and/or propellant in the breech, the shooter will announce "NOT READY. I have to clear this charge." All other shooters should make their firearms safe and step back until the round is fired. After the firearm is discharged, the shooter, when ready, will announce "ALL CLEAR". The line can then be made SAFE.
8. Black powder may not be stored on club property.

Section VI: Holster Draw

1. Range-qualified members must complete the Holster Draw Certification process, demonstrating the ability to safely handle and accurately shoot from the holster, to be certified. The BRGC Class III Office and/or the Pistol Officer will issue certifications.
2. Only the holder of a BRGC-issued Holster Draw Certification may draw from the holster.
3. The Member must display the BRGC Holster Draw Certification stripe when holstering or drawing a firearm from a holster.
4. Law enforcement personnel and concealed carry permit holders are also required to obtain a Holster Draw Certificate before they may draw from the holster on BRGC Ranges.
5. Holster draw must follow all applicable rules for the range being used.
6. Only Strong side draw is permitted. No cross draw or weak side draw is allowed. Shoulder holsters are not permitted.
7. The sidearm may only be loaded and unloaded on the firing line.
8. The sidearm may only be drawn from a strong-side holster designed to fit that firearm and only when the line is "HOT".
9. All target frames must be placed in the RED target frame holders. All firing must be done from the Red Box on the firing line.

Section VII: Disciplinary Action

1. Disciplinary action will be carried out in accordance with the club Bylaws and Internal Operating Procedures.

Appendix A – Definitions

Aimed fire shooting - shooting when the full capabilities of the sights available on the firearm are used to aim the firearm at the target. For example, using the front and rear sights on an open sighted firearm together is aimed fire. Using only the front sight is point – shoulder shooting. Using the dot of a red dot sight, a laser, or the reticle of a scope is aimed fire. Firing from the hip is point shooting.

Bump fire – any components or method of firing which permit a semi-automatic firearm to emulate a fully automatic firearm. This definition also applies to slide-fire components.

Class III – a firearm which falls under the Alcohol, Tobacco, Firearms, and Explosives regulations as a restricted firearm and is capable of fully automatic fire.

Creedmoor or Creedmore – the shooting of a firearm while on the back or supine position.

Offhand - the shooting of a firearm from a standing position without the benefit of external support such as a rest, bench or wall.

Pistol Caliber - includes all firearms that shoot ammunition originally designed for handgun use, such as the 9 MM Parabellum, .40 S&W and .45 ACP rounds. This classification also includes all rimfire cartridges.

Point shooting - shooting from the hip or other shooting stance where the firearm is not specifically aimed at the target using the sight available on the firearm.

Point – shoulder shooting - shooting from the shoulder such that the front sight lines up with the target.

Prone position – a shooting position such that the shooter lays face down on the ground.

Rifle Caliber - includes all firearms that shoot ammunition originally designed for rifle or machine gun use, such as the .30-06 and 8mm Mauser. This classification also includes intermediate caliber rounds such as the 5.56 x 45 mm, 7.62 x 39 mm and 7.92 x 33 mm.

Appendix B - Target Stand Specifications and Placement

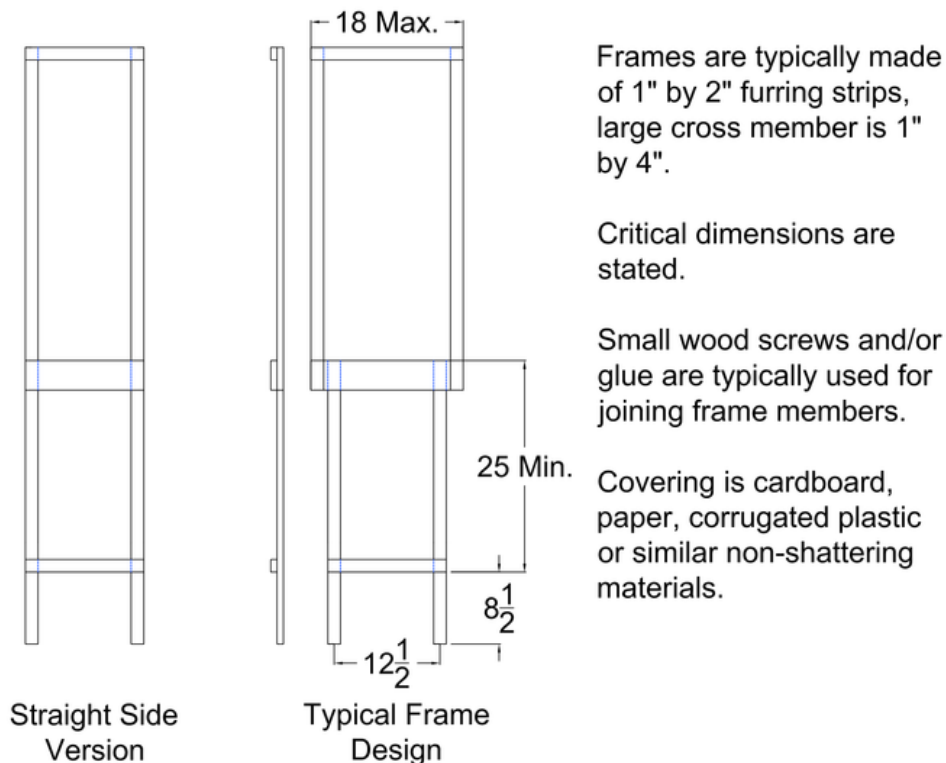
Target stands used on the Berwyn ranges will be constructed of wood framing with cardboard or paper center area for targets. Metal screws, nails and hinges are permitted. Target stands will have no more than the maximum dimensions shown in the drawing.

Target stands must be placed in the fixed target stand holders on each range. The target stands must be directly in front of the shooting position that the member will shoot from. You may not shoot at a target that is not directly in front of your shooting position.

You may not place a target directly on the backstop, on a walkway, on a target stand holder or anywhere else except on a target stand.

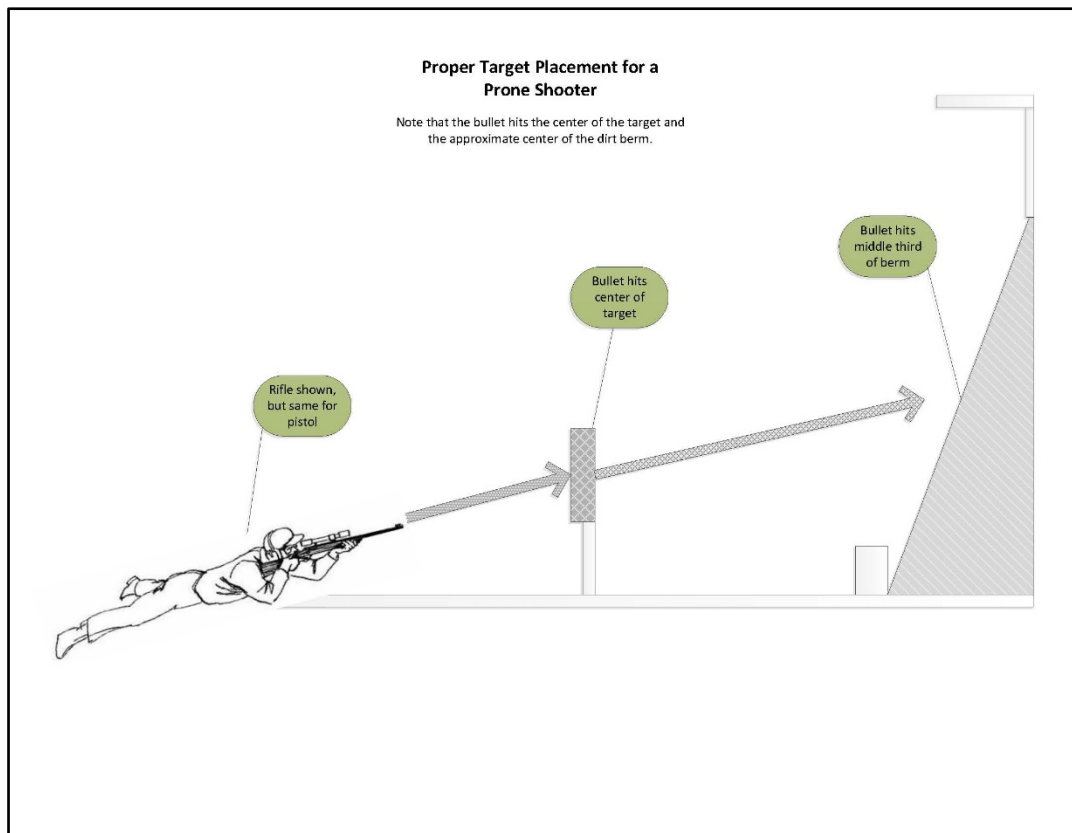
Targets must be attached inside the outer frame of the target stand in a position such that a bullet fired at your intended shooting height will pass in a straight line through the target and into the backstop. Targets of any other type are specifically prohibited.

Shooters must place their targets so that the shots will pass through the target horizontally and impact approximately midway on the backstop. Shots must not strike the ground, baffles, posts, retaining walls or any other surface that may cause a projectile to ricochet or cause damage to the range equipment.



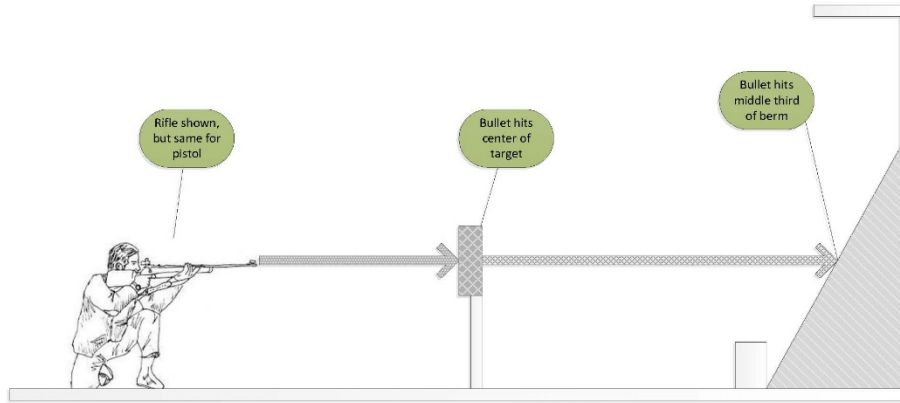
Appendix C: Proper Target Placement Diagrams

There are three diagrams below that show shooters in the prone, kneeling, and standing positions. In each diagram, note that the target is placed so that the shot goes through the center of the target and hit the middle third of the dirt berm. Adjust the height of the target so the bullet strikes correctly. It is critical that shots impact the berm properly.



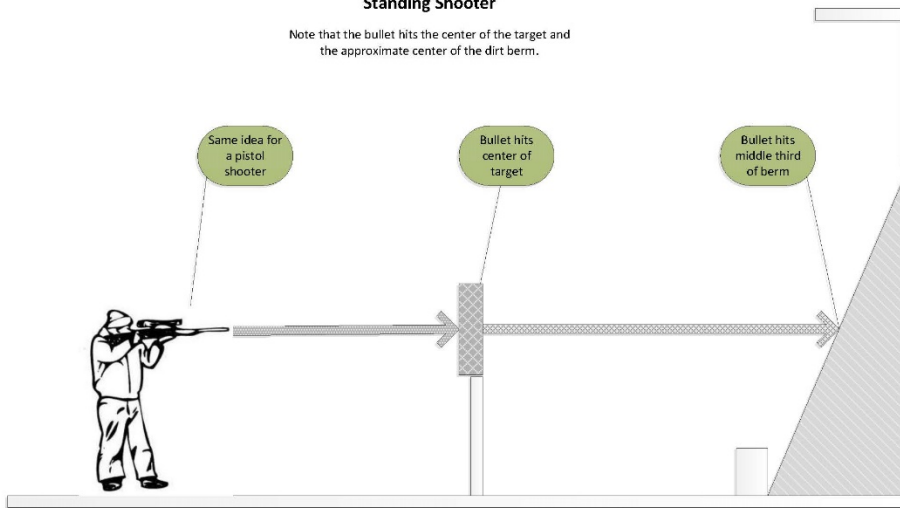
Proper Target Placement for a Kneeling Shooter

Note that the bullet hits the center of the target and the approximate center of the dirt berm.



Proper Target Placement for a Standing Shooter

Note that the bullet hits the center of the target and the approximate center of the dirt berm.



Appendix D: Professional Trainers and Classes

Professional trainers, as sanctioned by the Executive Committee, may conduct classes on BRGC property. The course content and course of fire shall be clearly and completely explained to the Executive Committee and approved before coursework is performed on BRGC property. Live fire exercises may be conducted as part of an approved structured and compensated class that:

- Place targets in non-standard positions. The targets must still be placed such that shots strike the dirt berm. Shooters, targets, or both shall be adjusted as needed so this happens.
- Use shooting positions other than prone, sitting, or offhand.
- Require students to draw a loaded firearm from a holster. This shall only be done at the firing line and with a student-to-instructor ratio of 1:1.
- No live fire will ever be forward of the designated firing line on any range at any time.
- No live fire will ever be from any position other than the numbered firing positions on each respective range.

Instructors are tasked to ensure that the students act in a safe manner and exercises are performed safely. If necessary, the instructor shall help the student align their firearm so that shots will impact the berm.

Targets must still be non-exploding and have no sharp shards after being struck by a pellet or bullet.

Trainer/Instructor and students may occupy only 1 bay at a time on any range.

The instructor shall be clearly identified to other personnel on the range as an instructor.

The students shall clearly be identified as students to other personnel on the range.

Students are not permitted to fire without an instructor's explicit permission.

BRGC rules regarding range security, use of waivers and sign-in logs, range safety, etc. shall be adhered to. The instructor is responsible for the conduct of the students.

Appendix E – Quick Reference Guide

This guide includes basic information on the use of the ranges and does not cover every possible situation. See the detailed sections for further information before using any club range for the first time.

If a safety rule does not explicitly permit an event on a range, it is prohibited.

The range operation hours are:

Monday through Saturday: 8:00 AM to Sunset

Sunday: 10:00 AM to Sunset

The ranges are to be used only with the following types of firearms:

100 Yard Range – Centerfire and rimfire rifles, shotguns with rifled slugs or slugs with sabots, muzzle-loading rifles, air and spring powered firearms, rifle caliber full auto firearms. There are restrictions on the types of ammunition that can be used.

50 Yard Range – Centerfire rifles and handguns, rimfire rifles and handguns, shotguns with rifled slugs or slugs with sabots, Muzzle-loading firearms, Rifle and Pistol caliber full auto firearms, muzzle loading firearms, air and spring powered firearms. There are restrictions on the types of ammunition that can be used.

50 Foot Range – Centerfire handguns, rimfire rifles and handguns, muzzle loading firearms, Shotguns with rifled slugs or slugs with sabots, Pistol caliber full auto firearms, air and spring powered firearms. Centerfire rifles may be sighted in on this range. There are restrictions on the types of ammunition that can be used.

Shotgun Pattern Board – Shotguns with pellets sized #6 and smaller. There are restrictions on the types of ammunition that can be used.

Archery Range – Compound, Long, recurve and cross bows with field points. Special requirements and exceptions exist. See Section IV, Specific Rules – Archery Range for more information.

Holster draw is only allowed on the 50 foot range and only if the shooter is holster draw certified by BRGC. See Section VI for requirements.

You may only shoot from the fixed firing positions on the 100 yard, 50 yard and 50 foot ranges. You may not shoot from forward of the fixed firing positions on any range, at any time, for any reason.

You must use a target stand that meets the requirements of Appendix B on the 100 yard, 50 yard and 50 foot ranges. You must place the target stand only in the fixed target stand holders on the ranges. You may only shoot at a target stand that is directly in front of your shooting position.

The main range gate must be locked immediately behind a Member after entering or exiting the main range unless directed otherwise by a Match Director or by the Executive Committee.

Every member must sign in legibly and include their Range Badge Number on the range log before shooting. Members must sign out after shooting, with the date and the time in and time out noted. Each Member must write the names of any guests on the comment line of their range log entry.

All guests and family members without their own range badge are required to read and sign a "RELEASE, WAIVER, INDEMNIFICATION, HOLD HARMLESS AND ASSUMPTION OF THE RISK AGREEMENT" form before using any firing range. A signed form must be on record with the Club. This form must be filled out for each visit to the range.

Members are responsible for the conduct of their guests on BRGC property.

A member may not have more than four (4) dependents/guests at any one time.

A guest of a member:

- May shoot only from the same point that the Member is using.
- May shoot only when the Member is not shooting.
- Must be directly supervised by the Member that they are with.
- May not draw from a holster and fire.
- May not fire an automatic firearm using a magazine that has more than a single round in it.

Alcoholic beverages may not be consumed on any range or in the adjacent parking lots when the range is scheduled to be open for shooting.

Any person physically or mentally impaired by any drug or alcohol is not permitted on any range. Members are requested to contact the Executive Committee immediately if this is observed.